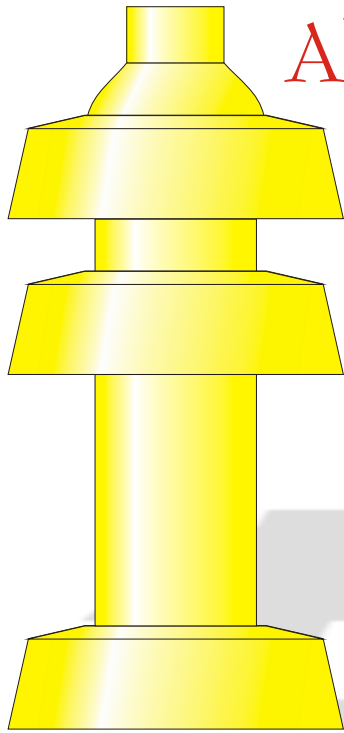
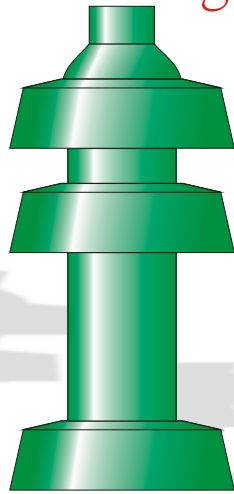


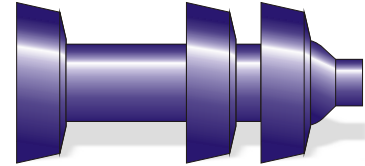
Polly Tri Cup[®]



All-urethane



Long wearing



Maintenance-free

No spare parts

**An all-Urethane cast, maintenance free
3-cup pig. Seals & contours for more
Efficient wiping and wearing**

ADVANCED DESIGN

Strategically located cups maintain a triple seal throughout your batching and line cleaning jobs. The Knapp Polly Tri-Cup's design allows it to easily traverse joints, valves, bends - virtually any pipeline formation!

ENHANCED FLEXIBILITY

Flexible, one-piece construction ensures that the Knapp Polly Tri-Cup is always centered in the line. Result - more even cup wear and a constant triple barrier against product interface. Improves cup seal by allowing expansion of pig body by line pressure.

LIGHT WEIGHT

Designed to be lighter than conventional metal pigs, the Knapp Polly Tri-Cup does not sacrifice strength or endurance. High compliance elastomers minimize cup wear and your per-foot costs, while ensuring maximum sealing capability.

HOLLOW CORE

The flexible body also expands with line pressure to further improve cup seal.

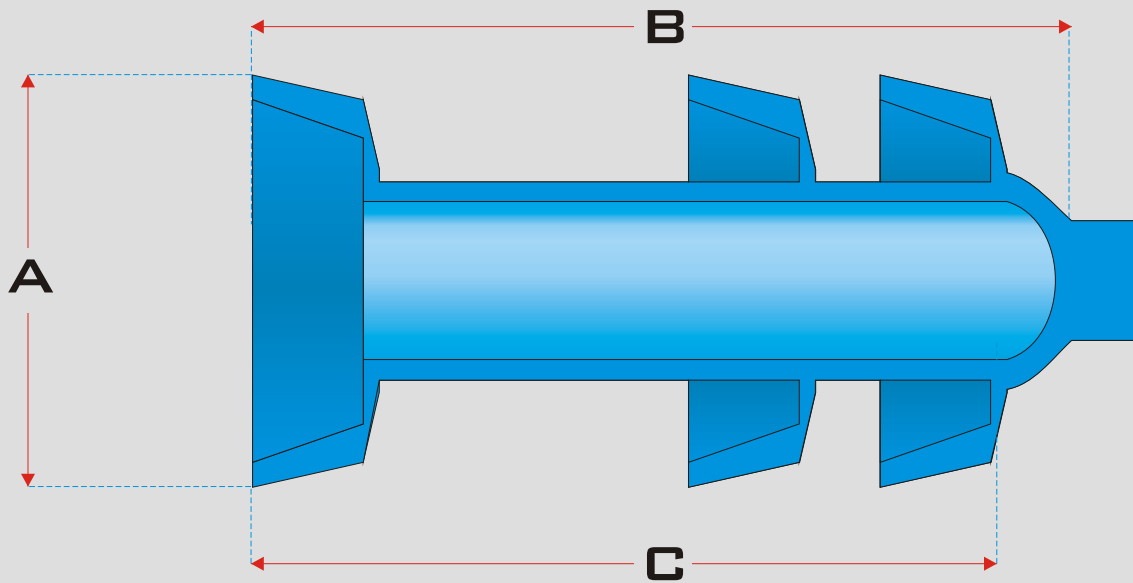
MAXIMUM STRENGTH

Tough and durable, the one-piece polyurethane body outclasses the performance of rigid metal parts in other pigs. Extra urethane in the nose section puts reinforcement where it is needed most.

SUPERIOR VALUE

Economical one-piece construction means no costly spare parts to inventory or lose in the line. The maintenance-free urethane pig excels in both price and performance. The standard Knapp Polly Tri-Cup is designed with crude, gas, distillate, ammonia, or alcohol service in mind. Available in a wide range of sizes, it is suitable for the majority of applications. Please contact Knapp Polly Pig, Inc., Or one of our distributors in your area for information on special service conditions. You'll like Knapp's Polly Tri-Cup -superior performance at a competitive price.

Polly Tri Cup is a registered trademark of Knapp Polly Pig, Inc.



The new one-piece Knapp Polly Tri-Cup[®] is designed to easily traverse bends and tees while maintaining a better seal longer than heavier designs. The Knapp Polly Tri-Cup is made without heavy components. This lessens weight-induced friction and wear and allows the use of a more compliant elastomer for improved sealing in all line conditions. The flexible design keeps the cups “centered” in the line, forming a triple seal that virtually eliminates product interface. It’s this superior sealing ability which makes the Knapp Polly Tri-Cup an ideal choice for batching, condensate removal, or dewatering.

SIZE	1.5" TUBING	2" TUBING	2" STD	2.5" TUBING	3" TUBING	3" STD	4" STD	6" STD	8" STD	8" EXT	10" STD	12" STD	14" STD	16" STD	18" STD	20" STD
PART NO.	PTC-1.5T	PTC-2T	PTC-2	PTC-2.5T	PTC-3T	PTC-3	PTC-4	PTC-6	PTC-8	PTC-8E	PTC-10	PTC-12	PTC-14	PTC-16	PTC-18	PTC-20
A	1.45"	1.9"	2.25"	2.375"	2.92"	3.375"	4.5"	6.5"	8.5"	8.5"	10.5"	12.625"	14"	16"	18"	20"
B	4.7"	5.75"	6"	7"	7.625"	8.25"	10"	13"	17"	24"	19"	21"	28"	32"	33"	30.5"
C	4.4"	5.625"	6"	6.625"	7.375"	7.25"	9.25"	11.5"	14.75"	21.75"	18.25"	20.25"	23.75"	29"	31.5"	25.5"
WEIGHT LBS	0.17	0.31	0.4	0.55	0.75	1	2.5	5	11	14	20	32	55	79	82	130

Polly Tri-Cup and Ultrathane are registered trademarks of Knapp Polly Pig, Inc.



The Knapp Polly Tri-Cup[®] is another fine polyurethane pig from the originator of the polyurethane foam pig!

e-mail: knapp@pollypig.com
www.pollypig.com

1209 Hardy Street
Houston, TX 77020
Tel: 800/231-7205
713/222-0146
Fax: 713/222-7403